



The industrial water treatment reference



ION EXCHANGE, FILTRATION, MEMBRANE SEPARATION, ULTRA-VIOLET, ELECTRODEIONIZATION, OZONE ...

Food & Beverage

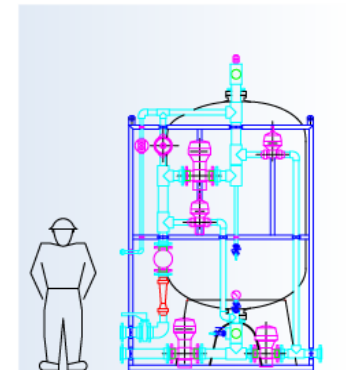
Customer : Cognac producer
Area : South West/France (Cognac)
Description : Double-pass Reverse osmosis water production for alcohol

Comments :
Sand filters,
Softening, double-pass reverse osmosis 6 m³/h,
storage, distribution with UV



Customer : Brewery
Area : North/France (Gayant)
Description : Water production by decarbonation and reverse osmosis for beer manufacturing

Comments :
- Bags filters, cartridges filters & decarbonation on carboxylic resin 60 m³/h
- Reverse osmosis 35 m³/h



Customer : Fruit juice producer
Area : East/France (Sarreguemines)
Description : Reverse osmosis water production
for fruit juice production

Comments :
Decarbonation by acidification
Dosing of anti-scaling
Reverse osmosis 60 m³/h



Customer : Spirit producer
Area : East/France (Petersbach)
Description : Reverse osmosis production for
alcohol

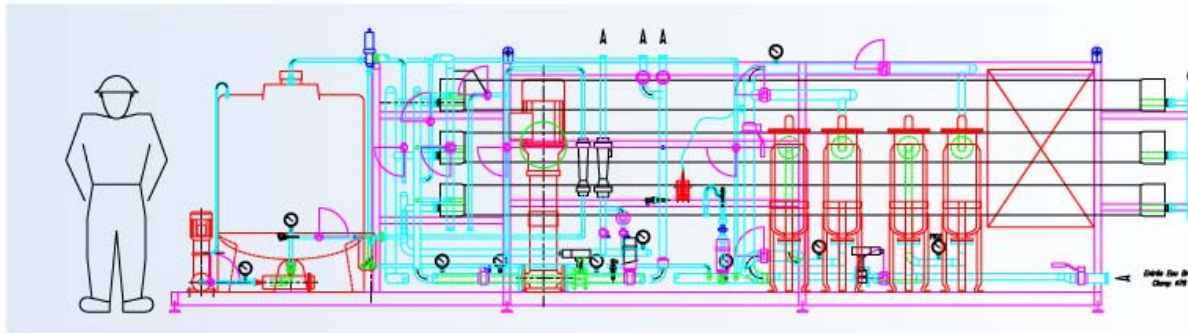
Comments :
- Filtration
- Dosing of anti-scaling
- Reverse osmosis 5 m³/h



Names and contacts of our customers are available on request

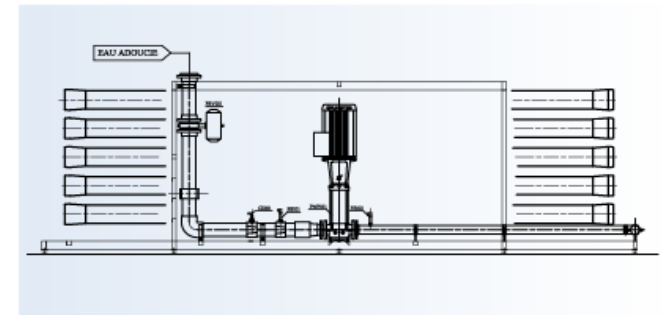
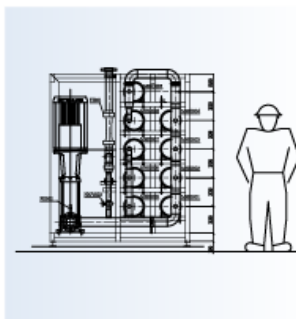
Customer : Brewery
Area : Tahiti/French Polynesian Islands
Description : Reverse Osmosis water production
16 m³/h

Comments :
Single block Skid , filtration, anti-scaling dosing
Reverse osmosis 16 m³/h
Clean In Place



Customer : Soft drink producer
Area : Angola
Description : Reverse Osmosis 120 m³/h

Comments :
2 reverse osmosis units on a 60 m³/h skid each one



Customer : Brewery
Area : Casablanca (Marocco)
Description : Reverse Osmosis 20 m³/h

Comments :
Automatic filters Pre-filtration
Chlorination, chlorine reduction, acidification,
Dosing of anti-scaling , filtration, 20 m³/h reverse osmosis



Customer : Brewery
Area : Oran (Algeria)
Description : Osmose inverse 60 m³/h

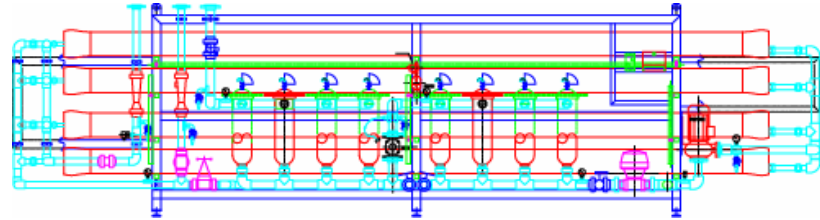
Comments :
60 m³/h Reverse osmosis Skid with CIP



Customer : Soft Drink - Alcohol
Area : Exceter/England
Description : Process water

Comments :

15 m³/h Reverse Osmose



Customer : Canned food producer
Area : Ile de France/France (Lagny)
Description : Decarbonation

Comments :

25 m³/h Decarbonation on carboxylic resin and HCl storage



Names and contacts of our customers are available on request

Customer : Dairy industry
Area : Sale/Morocco
Description : Purified water Production



Comments :
Reverse Osmosis Production 2 x 45 m³/h



Customer : Fruit juice producer
Area : Algeria
Description : Reverse osmosis water Production

Comments :
Reverse Osmosis unit fitted with 30 membranes of 8",
designed for a flow rate of 40 m³/h.



Customer : Watering down alcohol
Area : Senegal
Description : Purified water Production

Comments :
Reverse Osmosis Production : 1100 l/h



Customer : Production de margarine
Area : Senegal
Description : Purified water Production

Comments :
Compact softening Skid + reverse osmosis 1100l/h



Names and contacts of our customers are available on request

Client : Cognac producer

Région : South West/France

Description : Reverse osmosis
water production for alcohol

Comments :

Pre-treatment

Softening

Activated carbon Dechloration

Reverse Osmosis : 2,5 m³/h



Customer : Brewery

Area : Kinshasa (Rép. Dem. du Congo)

Description : 3 500 l/h Reverse Osmosis

Commentaires :

2 stages of 3,5 m³/h pre-treatment + reverse osmosis

Customer : Food & Beverage
Area : Europe and North Africa
Description : Ultra-Violet Sterilizers

Commentaires :
For 20 years, Epuro a constructed several water treatment plants with UV from 1 to 250 m³/h



Customer : Food & Beverage
Area : Europe and North Africa
Description : Filtration

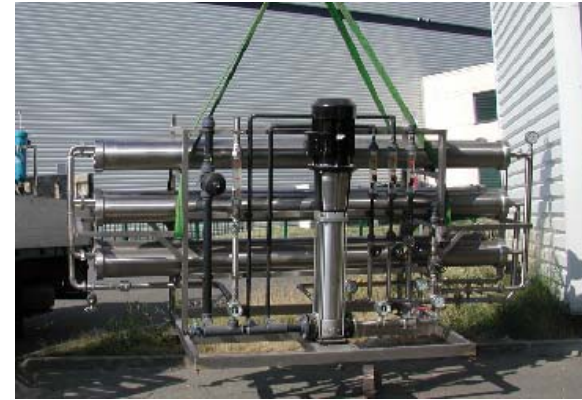
Comments :
For 20 years, Epuro has constructed several water filtration plants on automatic filters, sand and catalytic filters (deferrisation, dechloration)
Filtration to 1 000 m³/h



Customer : Food & Beverage
Area : Europe and North Africa
Description : Reverse Osmosis

Comments :

For 20 years, Epuro has constructed several reverse osmosis water treatment plants to 1 000 m³/h



65, avenue Georges Politzer
78190 TRAPPES
FRANCE

Tel +33-1-30-16-26-46
Fax +33-1-30-50-26-50

e-mail: infos@epuro.fr
web site: www.epuro.fr